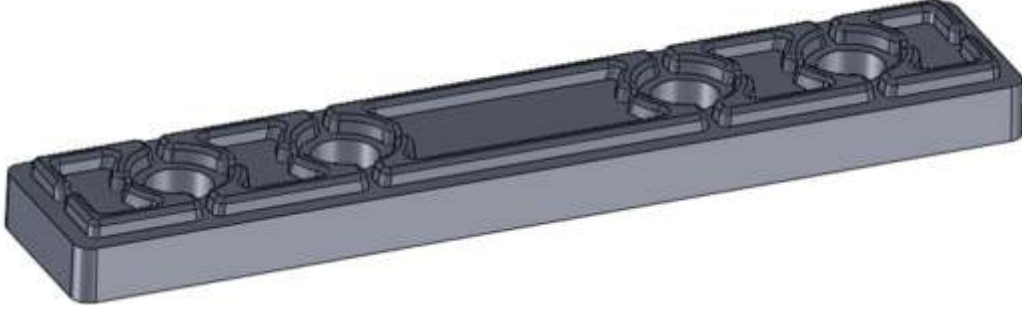


İ-34-03AP



Teknik Özellikler/Technical Details MATERIAL

**P.66 RAL 7040 (Plastik Gri Renk)**

P.66 RAL 7040 (Plastic Grey Color)

